

photos

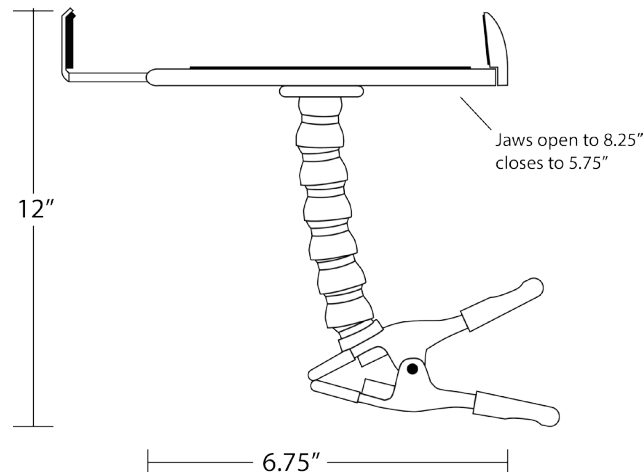


TABLET CLAMP MOUNT

description

CLAMP YOUR TABLET ANYWHERE! THE SCORPION SERIES™ UNIVERSAL TABLET HOLDER EXPANDS TO FIT ALL TABLETS HAVING 9 INCH TO 12 INCHES SCREEN SIZES. 5.75 INCHES AND 7.75 INCHES SMALL SIZE TABLETS CAN BE USED IN THE PORTRAIT POSITION. THE INDUSTRIAL-STRENGTH SPRING CLAMP IS LOADED WITH TENSION AND HAS DUAL STEP RUBBER JAWS TO PREVENT MARRING. THE RIGID 6 SEGMENT GOOSENECK PROVIDES 360 DEGREE, MULTI-DIRECTIONAL MOBILITY. A QUICK-RELEASE BUTTON DISENGAGES THE GRIP ARM TO ALLOW EASY PLACEMENT IN AND OUT OF THE TABLET HOLDER. NOT ONLY DOES THE TAB-8-CB CLAMP TO OBJECTS, IT ALSO ACTS AS AN EXCELLENT STAND ON ANY FLAT SURFACE!

details



WEIGHT = 1 LB
DIMS = 12" X 6.75"
MADE IN USA

WARNING!!

READ ALL INSTRUCTIONS INCLUDED WITH PRODUCT. STAGE NINJA™ SCORPION SERIES CLAMPS ARE NOT A TOY AND CAN BE HARMFUL IF MISUSED. SMALL PARTS SHOULD BE KEPT AWAY FROM CHILDREN AND OUT OF MOUTHS, COULD CAUSE CHOKING. CLAMPS CLOSE WITH STRONG PRESSURE STAGE NINJA™ IS NOT RESPONSIBLE FOR DAMAGE TO PRODUCTS FROM THE PRESSURE OF THE CLAMP OR SCRATCHING FROM METAL PIECES. CLAMP WILL DAMAGE DELICATE MATERIALS IF CLAMPED IMPROPERLY. DO NOT CLAMP TO BODY PARTS OR ANYTHING BESIDES A SOLID SURFACE. USE TWO HANDS WHILE ADJUSTING GOOSENECK. GOOSENECK IS DESIGNED TO BE ADJUSTABLE AND WILL SEPERATE UNDER PRESSURE. ENJOY YOUR PRODUCTS RESPONSIBLY.