



CAT6-40-S

photos



OPTIONAL CEILING MOUNT

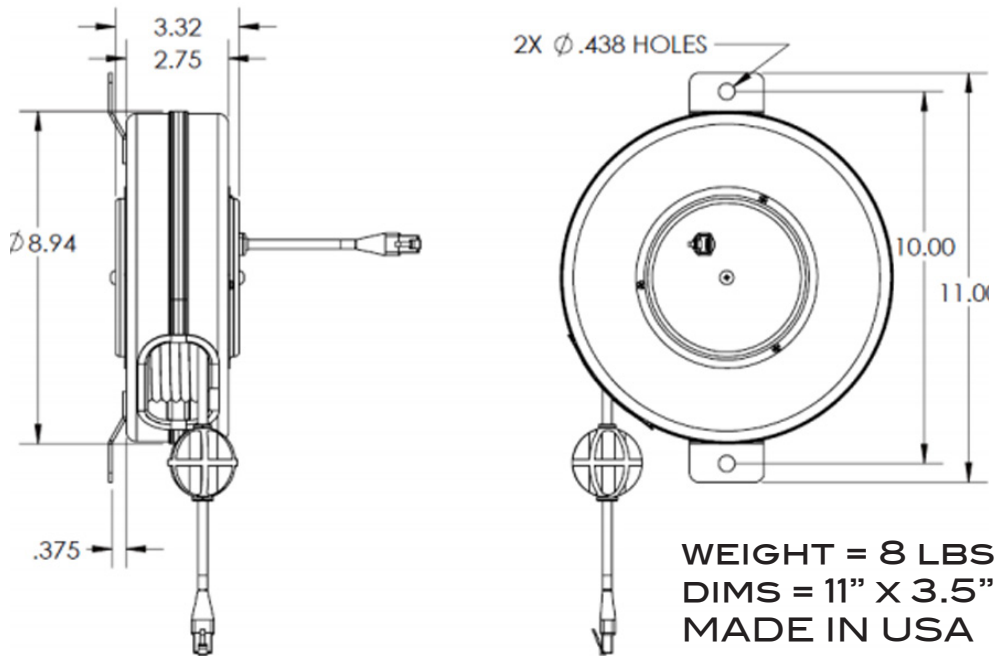
40 FOOT RETRACTABLE CAT6 CABLE

description

THE CAT6-40-S HOUSES 40 FEET OF RETRACTABLE PREMIUM CAT6 SHIELDED, 500MHZ CABLE WITH AN RJ45 CONNECTOR. THE STATIC END IS 3 FEET WITH AN RJ45 CONNECTOR. THE POWDER COATED BLACK STEEL, MILITARY GRADE HOUSING COMES STANDARD WITH A FLAT MOUNTING STRAP THAT CAN BE FASTENED TO A DESKTOP, CABINET, OR RACK MOUNT. CEILING MOUNTS AND CONSTANT TENSION AVAILABLE UPON REQUEST. ELIMINATES CORD WINDING, CORD TANGLES AND STAGE/STUDIO CLUTTER WITH INSTANT CABLE RETRACTION. THE CAT6-40-S PROVIDES PROTECTION AND ORGANIZATION FOR YOUR CAT6 CABLE.

CONSTANT TENSION AVAILABLE.

details



WEIGHT = 8 LBS
DIMS = 11" X 3.5"
MADE IN USA

WARNING!!

Read all instructions. Keep out of reach of children. The Stage Ninja® Retractable Cord is not a toy! This product can cause injury including, burns, cuts, eye injuries, or amputation if cord is used improperly. Recoil can cause injuries, especially when recoil is unexpected. When unplugging from instrument, hold cable end when retracting to maintain control of recoil. Do not wrap Cord around finger, neck, arm, leg, or other appendage or body part. The Retractable Cord is for use by responsible adults only. Do not allow anyone to touch or come in contact with the Retractable Cord while in use. Unplug Cord from musical instrument and amplifier when not using. Stop using the Retractable Cord if it becomes frayed, damaged, shows other signs of significant wear and tear, or does not function properly. Do not attempt to repair the Cord. Wear long pants to reduce the risk of leg burns and cuts from the Retractable Cord. Do not place hands, feet, head, or other appendage or body part near housing unit while Cord is extended. Please heed these warnings and use Retractable Cord with caution.