

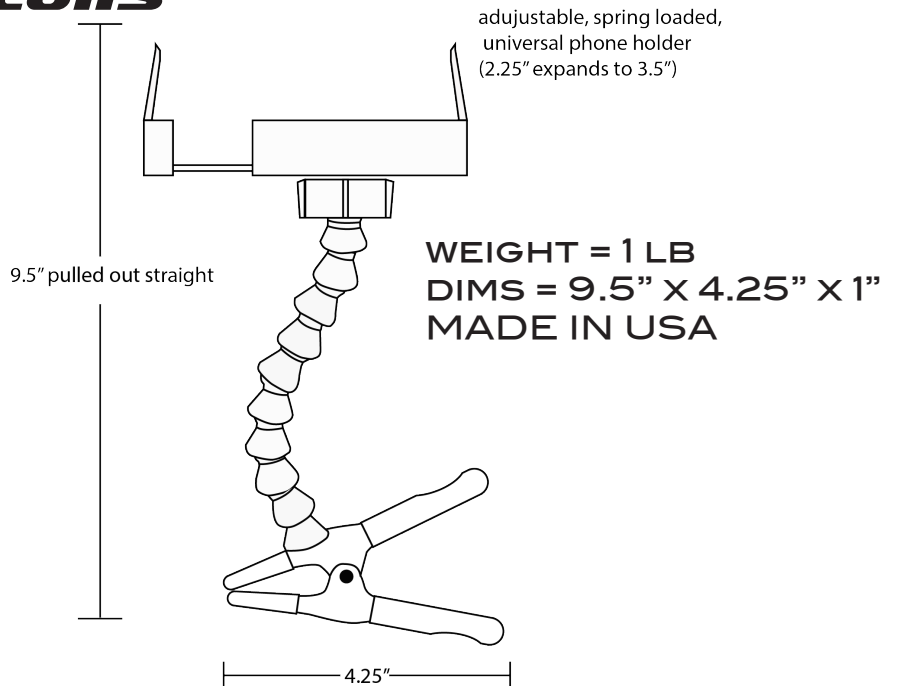
photos



description

CLAMP YOUR PHONE ANYWHERE! THE SCORPION SERIES™ SPRING-LOADED PHONE HOLDER ACCOMMODATES ALL SMARTPHONES (EVEN THOSE WITH SKINS OR RUGGEDIZED CASES) UP TO 3.6 INCHES WIDE. THE INDUSTRIAL-STEEL MINI CLAMP BASE IS LOADED WITH TENSION. THE RIGID 10 SEGMENT MINI GOOSENECK PROVIDES 360 DEGREE, MULTI-DIRECTIONAL MOBILITY. NOT ONLY DOES THE FON-9-CB CLAMP TO OBJECTS, IT ALSO ACTS AS AN EXCELLENT STAND ON ANY FLAT SURFACE!

details



WARNING!!

READ ALL INSTRUCTIONS INCLUDED WITH PRODUCT. STAGE NINJA™ SCORPION SERIES CLAMPS ARE NOT A TOY AND CAN BE HARMFUL IF MISUSED. SMALL PARTS SHOULD BE KEPT AWAY FROM CHILDREN AND OUT OF MOUTHS, COULD CAUSE CHOKING. CLAMPS CLOSE WITH STRONG PRESSURE STAGE NINJA™ IS NOT RESPONSIBLE FOR DAMAGE TO PRODUCTS FROM THE PRESSURE OF THE CLAMP OR SCRATCHING FROM METAL PIECES. CLAMP WILL DAMAGE DELICATE MATERIALS IF CLAMPED IMPROPERLY. DO NOT CLAMP TO BODY PARTS OR ANYTHING BESIDES A SOLID SURFACE. USE TWO HANDS WHILE ADJUSTING GOOSENECK. GOOSENECK IS DESIGNED TO BE ADJUSTABLE AND WILL SEPERATE UNDER PRESSURE. ENJOY YOUR PRODUCTS RESPONSIBLY.