

## photos

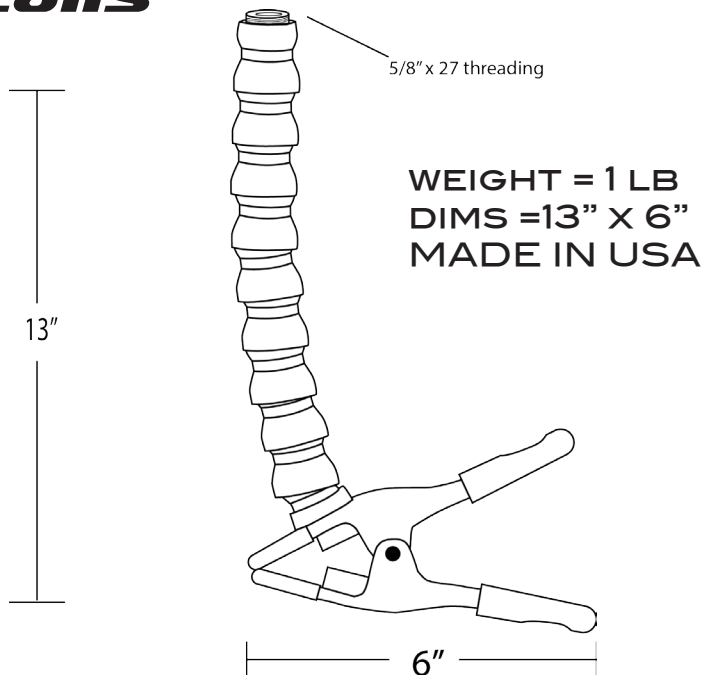


## MICROPHONE CAMP MOUNT

### *description*

CLAMP A MICROPHONE ANYWHERE! THE SCORPION SERIES™ MIC MOUNT ALLOWS YOU TO PLACE AND POSITION A MICROPHONE IN TIGHT OR UNIQUE SITUATIONS. THE INDUSTRIAL-STRENGTH SPRING CLAMP IS LOADED WITH TENSION AND HAS DUAL STEP RUBBER JAWS TO PREVENT MARRING. THE RIGID 10 SEGMENT GOOSENECK PROVIDES 360 DEGREE, MULTI-DIRECTIONAL MOBILITY. THE STANDARD 5/8 INCH MIC TIP THREADS INTO ALL STANDARD MIC CLIPS. 3/8 INCH MIC TIP THREADS ARE AVAILABLE UPON REQUEST. STAGE OR STUDIO, THE MIC-12-CB WILL NOT LET YOU DOWN.

### *details*



### **WARNING!!**

READ ALL INSTRUCTIONS INCLUDED WITH PRODUCT. STAGE NINJA™ SCORPION SERIES CLAMPS ARE NOT A TOY AND CAN BE HARMFUL IF MISUSED. SMALL PARTS SHOULD BE KEPT AWAY FROM CHILDREN AND OUT OF MOUTHS, COULD CAUSE CHOKING. CLAMPS CLOSE WITH STRONG PRESSURE STAGE NINJA™ IS NOT RESPONSIBLE FOR DAMAGE TO PRODUCTS FROM THE PRESSURE OF THE CLAMP OR SCRATCHING FROM METAL PIECES. CLAMP WILL DAMAGE DELICATE MATERIALS IF CLAMPED IMPROPERLY. DO NOT CLAMP TO BODY PARTS OR ANYTHING BESIDES A SOLID SURFACE. USE TWO HANDS WHILE ADJUSTING GOOSENECK. GOOSENECK IS DESIGNED TO BE ADJUSTABLE AND WILL SEPERATE UNDER PRESSURE. ENJOY YOUR PRODUCTS RESPONSIBLY.