



MIC-12-MB

photos

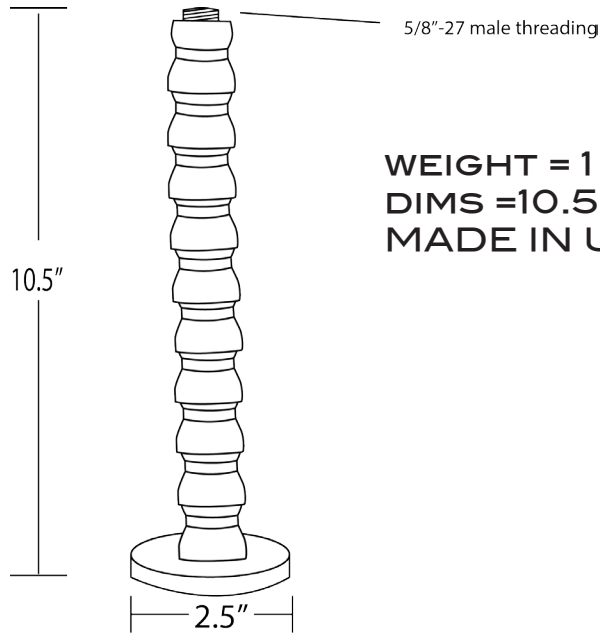


MICROPHONE MAGNET MOUNT

description

MAGNETICALLY MOUNT YOUR MIC! THE SCORPION SERIES™ MIC MOUNT ALLOWS YOU TO PLACE AND POSITION A MICROPHONE IN TIGHT OR UNIQUE SITUATIONS. THE INDUSTRIAL-STRENGTH MAGNET BASE IS LOADED WITH 60 POUNDS OF PULL FORCE. THE RIGID 10 SEGMENT GOOSENECK PROVIDES 360 DEGREE, MULTI-DIRECTIONAL MOBILITY. THE STANDARD 5/8 INCHES MIC TIP THREADS INTO ALL STANDARD MIC CLIPS. 3/8 INCHES MIC TIP THREADS ARE AVAILABLE UPON REQUEST. STAGE OR STUDIO, THE MIC-12-MB WILL NOT LET YOU DOWN.

details



WEIGHT = 1 LB
DIMS = 10.5" X 2.5"
MADE IN USA

WARNING!!

READ ALL INSTRUCTIONS INCLUDED WITH PRODUCT. STAGE NINJA SCORPION SERIES CLAMPS ARE NOT A TOY AND CAN BE HARMFUL IF MISUSED. SMALL PARTS SHOULD BE KEPT AWAY FROM CHILDREN AND OUT OF MOUTHS, COULD CAUSE CHOKING. CLAMPS CLOSE WITH STRONG PRESSURE STAGE NINJA IS NOT RESPONSIBLE FOR DAMAGE TO PRODUCTS FROM THE PRESSURE OF THE CLAMP OR SCRATCHING FROM METAL PIECES. CLAMP WILL DAMAGE DELICATE MATERIALS IF CLAMPED IMPROPERLY. DO NOT CLAMP TO BODY PARTS OR ANYTHING BESIDES A SOLID SURFACE. USE TWO HANDS WHILE ADJUSTING GOOSENECK. GOOSENECK IS DESIGNED TO BE ADJUSTABLE AND WILL SEPERATE UNDER PRESSURE. ENJOY YOUR PRODUCTS RESPONSIBLY.