

photos

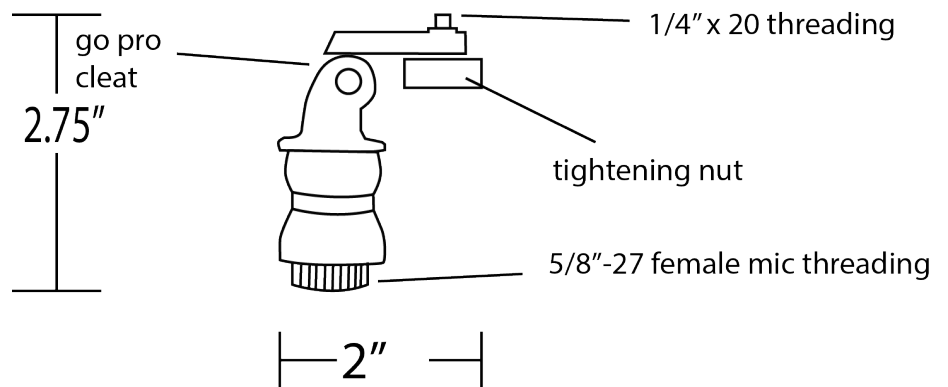


MIC STAND TO CAMERA TRIPOD CONVERSION

description

CHANGE YOUR MIC STAND TO A CAMERA STAND! SCORPION SERIES™ MIC-2-CAM INSTANTLY CHANGES A MIC STAND TO A CAMERA/AV MOUNT. A 5/8 INCH FEMALE BOTTOM THREADS ONTO A STANDARD MIC STAND. THE PIVOTING 1/4"-20 THREADED CAMERA MOUNT IS EASILY TIGHTENED WITH AN OVERSIZE NUT ON THE OPPOSITE SIDE. THE 1/4"-20 ADAPTER CAN BE REMOVED TO UTILIZE A GOPRO® CLEAT. A MUST FOR YOUR CAMERA BAG.

details



WEIGHT = .2 LB
DIMS = 2.75" X 2"
MADE IN USA

WARNING!!

READ ALL INSTRUCTIONS INCLUDED WITH PRODUCT. STAGE NINJA™ SCORPION SERIES CLAMPS ARE NOT A TOY AND CAN BE HARMFUL IF MISUSED. SMALL PARTS SHOULD BE KEPT AWAY FROM CHILDREN AND OUT OF MOUTHS, COULD CAUSE CHOKING. CLAMPS CLOSE WITH STRONG PRESSURE STAGE NINJA IS NOT RESPONSIBLE FOR DAMAGE TO PRODUCTS FROM THE PRESSURE OF THE CLAMP OR SCRATCHING FROM METAL PIECES. CLAMP WILL DAMAGE DELICATE MATERIALS IF CLAMPED IMPROPERLY. DO NOT CLAMP TO BODY PARTS OR ANYTHING BESIDES A SOLID SURFACE. USE TWO HANDS WHILE ADJUSTING GOOSENECK. GOOSENECK IS DESIGNED TO BE ADJUSTABLE AND WILL SEPERATE UNDER PRESSURE. ENJOY YOUR PRODUCTS RESPONSIBLY.