

## photos

## 10 FOOT RETRACTABLE MEDICAL POWER REEL

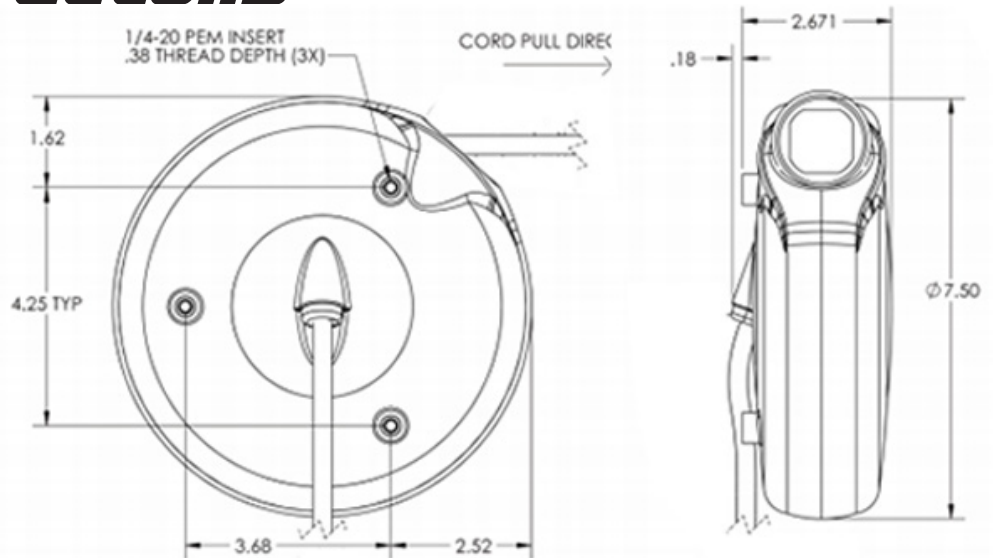


## description

STAGE NINJA'S MED-10-S INSTANTLY RETRACTS 10 FEET OF 14/3 SJT POWER CORD. THE RETRACTABLE END IS OUTFITTED WITH A GRAY NEMA 5-15P HOSPITAL GRADE ANTIMICROBIAL PLUG. THE STATIC END IS AN 18 INCH 16/3 SJT CABLE WITH AN IEC 320-13 FEMALE RECEPTACLE. THIS REEL IS MEETS STANDARD UL 60601-1. 10 AMP 125 VOLT RATING. THE DURABLE, SEAMLESS ABS PLASTIC HOUSING IS COATED WITH AN ANTIMICROBIAL AGENT. (3) 1/4-20 PEM INSERTS ALLOW FOR MULTIPLE MOUNTING METHODS. ELIMINATES CORD WINDING, CORD TANGLES AND TRIP HAZARDS WITH INSTANT CABLE RETRACTION. THIS IS AN EXCELLENT REEL FOR STERILE, MOBILE APPLICATIONS.

CONSTANT TENSION AVAILABLE

## details



WEIGHT = 6 LBS  
DIMS = 7.5" X 2.5"  
MADE IN USA

## WARNING!!

Read all instructions. Keep out of reach of children. The Stage Ninja<sup>®</sup> Retractable Cord is not a toy! This product can cause injury including, burns, cuts, eye injuries, or amputation if cord is used improperly. Recoil can cause injuries, especially when recoil is unexpected. When unplugging from instrument, hold cable end when retracting to maintain control of recoil. Do not wrap Cord around finger, neck, arm, leg, or other appendage or body part. The Retractable Cord is for use by responsible adults only. Do not allow anyone to touch or come in contact with the Retractable Cord while in use. Unplug Cord from musical instrument and amplifier when not using. Stop using the Retractable Cord if it becomes frayed, damaged, shows other signs of significant wear and tear, or does not function properly. Do not attempt to repair the Cord. Wear long pants to reduce the risk of leg burns and cuts from the Retractable Cord. Do not place hands, feet, head, or other appendage or body part near housing unit while Cord is extended. Please heed these warnings and use Retractable Cord with caution.