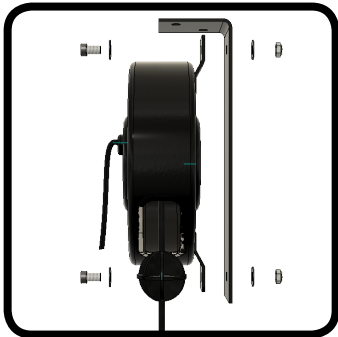
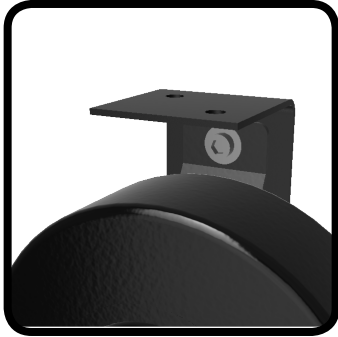




VMB-9-1

photos



OPTIONAL SWIVEL HOUSING

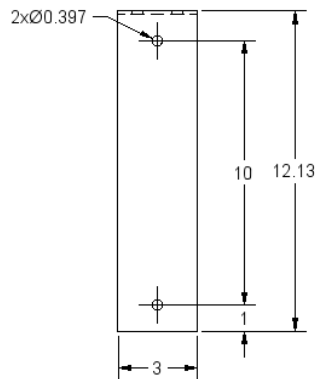
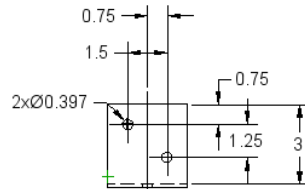
VERTICAL MOUNT FOR 9 INCH REEL

description

THE VMB-9-1 ALLOWS YOU TO VERTICALLY HANG ALL 9 INCH STEEL REELS BROUGHT TO YOU BY STAGE NINJA®. THE VERTICAL MOUNTING BRACKET UTILIZES THE EXISTING HORIZONTAL BRACKETS TO ALLOW FOR MOUNTING ON CEILING, DESKS, TRUSSING, ETC. THE BRACKET IS BUILT OUT OF STURDY 12 GAUGE STEEL AND FINISHED WITH A SLEEK MATTE BLACK POWDER COAT.

SWIVEL BRACKETS (SHOWN BELOW) ARE AVAILABLE THROUGH CUSTOM SHOP.

details



WEIGHT = 1 LB
DIMS = 12" X 3"
MADE IN USA

WARNING!!

Read all instructions. Keep out of reach of children. The Stage Ninja® Retractable Cord is not a toy! This product can cause injury including, burns, cuts, eye injuries, or amputation if cord is used improperly. Recoil can cause injuries, especially when recoil is unexpected. When unplugging from instrument, hold cable end when retracting to maintain control of recoil. Do not wrap Cord around finger, neck, arm, leg, or other appendage or body part. The Retractable Cord is for use by responsible adults only. Do not allow anyone to touch or come in contact with the Retractable Cord while in use. Unplug Cord from musical instrument and amplifier when not using. Stop using the Retractable Cord if it becomes frayed, damaged, shows other signs of significant wear and tear, or does not function properly. Do not attempt to repair the Cord. Wear long pants to reduce the risk of leg burns and cuts from the Retractable Cord. Do not place hands, feet, head, or other appendage or body part near housing unit while Cord is extended. Please heed these warnings and use Retractable Cord with caution.