

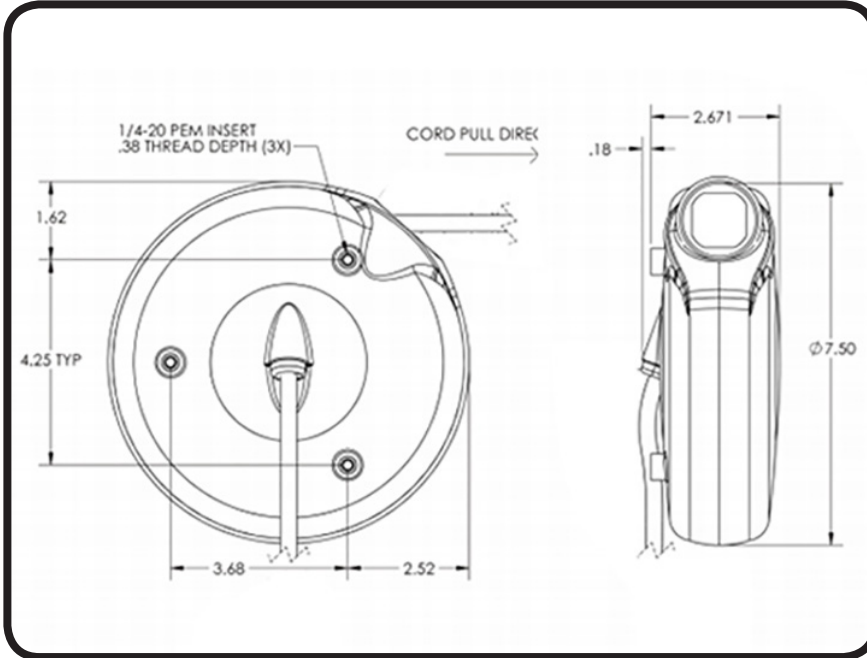


# CAT6-25-S

## Stage Ninja 25 foot retractable CAT6 unshielded cable reel

Premium CAT6 unshielded cable. Pull cable to desired length (it locks in place), give the cable another pull to unlock. Cable instantly retracts into protective housing.

**Custom options available. Call 317-829-1507 to learn more.  
Made in USA**



### WARNING

Read all instructions. Keep out of reach of children. The Stage Ninja® Retractable Cable Reel is not a toy! This product can cause injury including but not limited to burns, cuts, eye injuries, or amputation if cord is used improperly. Recoil can cause injuries, especially when recoil is unexpected. When unplugging from connection, hold the cable end when retracting to maintain control of recoil. Do not wrap cord around finger, neck, arm, leg or other appendage or body part. The retractable cord is for use by responsible adults only. Do not allow anyone to touch or encounter the reel while it is in use. Stop using the retractable cable reel if the cable becomes frayed, damaged, shows any other signs of wear and tear, or does not function properly. Do not attempt to repair the cord. Wear long pants to reduce the risk of burns and cuts from the retractable cord. Do not place hands, feet, head or any other appendage or body part near housing unit while the cord is extended. Please heed these warning and use retractable cable reel with caution.

| Reel Material   | Retraction length (US/M) / Connector | Reel Color | Cord Color          | Static Length / Connector |
|-----------------|--------------------------------------|------------|---------------------|---------------------------|
| ABS Plastic     | 25ft (7.6m) / RJ-45                  | Black      | Black               | 3ft (.9m) / RJ-45         |
| Weight          | Constant Tension Available           | Shielding  | Mounting            | Warranty                  |
| 3 lbs. / 1.8 kg | No                                   | No         | Flat Mounting Strap | 1 Year                    |



**Stock Flat Mounting Strap**



**(Optional: VMB-7-S Vertical Mounting Bracket Kit)**



**(Optional: VMB-7-S Vertical Mounting Bracket Kit)**