



# GTR-CA-2X

INSTRUMENT OR GUITAR CASE CARRIER

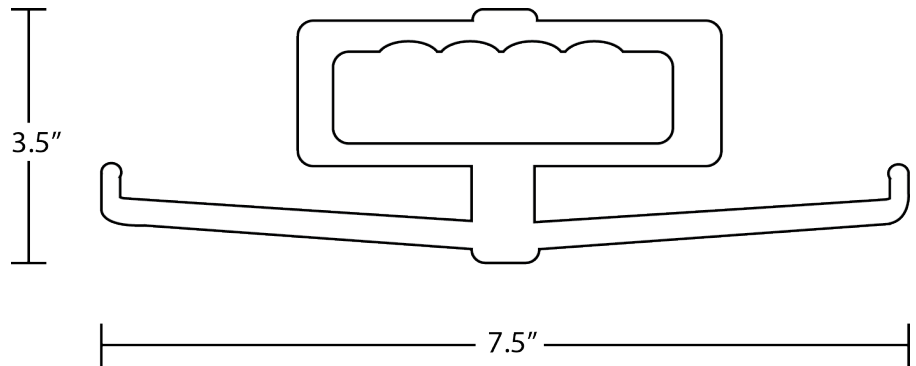
## photos



## description

CARRY 2 INSTRUMENT CASES PER ARM! STAGE NINJA "GUITAR-ROADIE" GTR-CA-2X IS MADE OF INDUSTRIAL ABS PLASTIC. THE ERGONOMIC HANDLE ROTATES 360 DEGREES TO REDUCE WRIST STRAIN. THE RIBBED RUBBER SHOULDERS GRIP THE CASE HANDLES FIRMLY AND PREVENT SLIPPAGE WHILE IN MOTION. THIS MADE IN THE USA PRODUCT IS A MUST FOR GIGGING AND TOURING!

## details



WEIGHT = .4 LBS  
DIMS = 7.5" X 3.5" X 1"  
MADE IN USA

### WARNING!!

READ ALL INSTRUCTIONS INCLUDED WITH PRODUCT. STAGE NINJA "SCORPION" SERIES CLAMPS ARE NOT A TOY AND CAN BE HARMFUL IF MISUSED. SMALL PARTS SHOULD BE KEPT AWAY FROM CHILDREN AND OUT OF MOUTHS, COULD CAUSE CHOKING. CLAMPS CLOSE WITH STRONG PRESSURE STAGE NINJA IS NOT RESPONSIBLE FOR DAMAGE TO PRODUCTS FROM THE PRESSURE OF THE CLAMP OR SCRATCHING FROM METAL PIECES. CLAMP WILL DAMAGE DELICATE MATERIALS IF CLAMPED IMPROPERLY. DO NOT CLAMP TO BODY PARTS OR ANYTHING BESIDES A SOLID SURFACE. USE TWO HANDS WHILE ADJUSTING GOOSENECK. GOOSENECK IS DESIGNED TO BE ADJUSTABLE AND WILL SEPERATE UNDER PRESSURE. ENJOY YOUR PRODUCTS RESPONSIBLY.