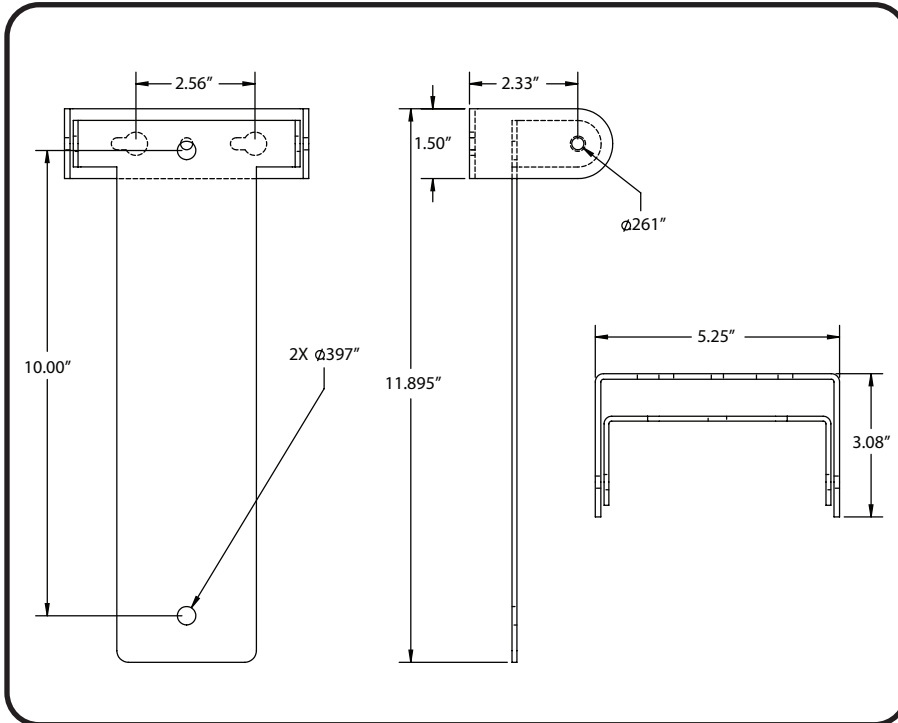


Stage Ninja[®] Vertical Swivel Mounting Bracket for 9-Inch Reel

Mates with 9-inch Stage Ninja Pro Reels utilizing the existing horizontal bracket strap to allow for mounting on ceilings, desks, trussing, etc. Swivel is 180° and is preset at maximum swivel ease. Hardware can be tightened for slower swivel or no swivel, including set at an angle.

Call 317-829-1507 to learn more. Made in USA 



Compatible with Models:

- XLR-48-S
- DMX-40-S
- CAT5-40-S
- CAT6-40-S
- CAT6-65-S
- USB-40-S

WARNING

Read all instructions before mounting and operating. Keep out of reach of children. The Stage Ninja[®] Mounting Bracket is not a toy! The edges and pinch points of this product could cause injury and small parts could cause choking or other injury if separated. Do not loosen pre-assembled hardware beyond factory setting.

Material	Color / Finish	Mounting	Weight	Warranty
12 Gauge Steel	Matte Black Powder Coat	Hardware supplied for attaching reel to bracket. Use proper hardware for your mounting surface to hang bracket.	1.75 lbs / .8 kg	1 Year

