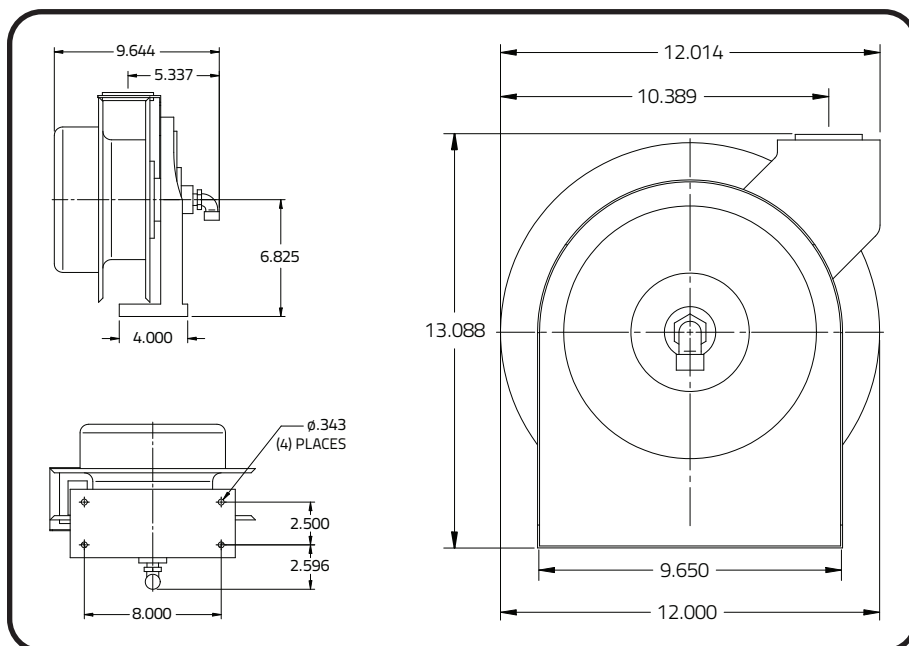


Stage Ninja[®] 45 Foot Retractable 20A Power Reel

Flexible 12/3 cord with flying leads for hardwiring. Industrial reel chassis with superior spring and slip ring life. Tension adjustable by adding or removing wraps on pretensioned drum. Configured for constant tension so cable moves freely with attached equipment. Use integrated bus drop grip to provide strain relief for retractable connection.

Custom options available. Call 317-829-1507 to learn more. Made in USA 



WARNING

Read all instructions. This product can cause injury including but not limited to burns, cuts, eye injuries, or amputation if cord is used improperly. Recoil can cause injuries, especially when recoil is unexpected. When unplugging from connection, hold the cable end when retracting to maintain control of recoil. Do not wrap cord around finger, neck, arm, leg or other appendage or body part. Wear long pants to reduce the risk of burns and cuts from the retractable cord. The retractable cord is for use by responsible adults only. Keep out of reach of children. Do not allow anyone to touch or encounter the reel while it is in use. Stop using the retractable cable reel if the cable becomes frayed, damaged, shows any other signs of wear and tear, or does not function properly. Do not attempt to repair the cord. Do not place hands, feet, head or any other appendage or body part near housing unit while the cord is extended. Please heed these warnings and use retractable cable reels with caution.

Reel Material	Retraction length (US/M) / Connector	Reel Size	Tension Adjustable?	Spring Drive
Black Powder Coated Steel	45 ft (13.7 m) / Flying Leads	13"H x12"D x 9.6"W	Yes	10,000 Cycle
Weight	Static length (US/M) / Connector	Mounting	Locking/Releasing Available?	Warranty
26 lbs / 11.8 kg	3 ft (0.9 m) / Flying Leads	Built-in Base	Yes, request -S	2 Years

