



# PERFORMANCE SERIES™

## INSTALLATION & OPERATING INSTRUCTIONS

for Cantilever-style, Open Spool Reels

Read these instructions carefully before attempting to install, operate or maintain this product. Only qualified persons should install this product. Failure to comply with instructions may result in personal injury and/or property damage. Every attempt is made to insure accuracy and completion of these instructions; however, manufacturer is not responsible for omissions.

**⚠ WARNING** Even low voltage can cause damage or death! Always be aware of spring tension on reel. Exercise caution while operating or servicing this equipment.

### Safety Precautions

Personal injury and/or equipment damage may result if proper safety precautions are not observed.

- Ensure that only a qualified electrician (if electrical) or technician installs/services this equipment.
- If applicable, ensure that power supply voltage does not exceed maximum voltage rating of reel.
- Ensure that reel is properly installed before connecting to power or signal supply.
- All cord reels with flying leads must be hard wired to ensure proper function.
- Ensure that all electrical power or signal is removed from reel before servicing.
- A high-tension spring assembly is contained within the reel. **Exercise extreme caution.** ⚠ Remove all spring

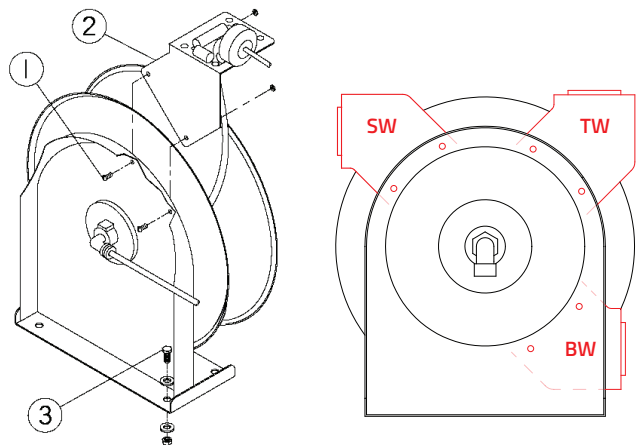
tension if disassembling.

- Discontinue use immediately if you notice any frayed, exposed and/or broken wires.
- If your reel has a Ground Fault Circuit Interrupter (GFCI) receptacle, test monthly. A GFCI does not protect against short circuits and overloads. It is designed to protect people from line-to-ground shock hazards.
- Pull cord from reel by grasping the cord itself, not the work device.
- If an electrical malfunction should occur, remove power from reel immediately.
- Ensure that reel, cord, and equipment being serviced are properly grounded. Use an ohmmeter to check ground continuity.
- If reel ceases to unwind or rewind, remove power or signal immediately. Do not jerk excessively on the cord!
- Treat and respect the reel as any other piece of machinery, observing all common safety practices.

Ensure that only a qualified electrician or technician installs/services this equipment. Observe applicable national and local building and wiring codes when installing this equipment.

### Installation Instructions

1. Unpack and inspect reel for damage. Turn by hand to check for smooth operation. Check for completeness.
2. If not preconfigured for your application, configure reel guide arm for top (TW), side (SW) or bottom (BW) wind (bottom wind is for constant tension reels only). Remove bolts (1) and guide arm bracket (2). Determine new guide arm location and remove corresponding bolts. Position guide arm bracket to reel and replace all bolts.
3. Position reel on structurally sound floor, wall, or ceiling. Secure into place using four (customer supplied) screws or bolts (3) appropriate to the substrate you are mounting to.



## Adjusting Spring Tension

If necessary, adjust spring tension on reel by adding or removing wraps of cord from spool, one wrap at a time, until desired tension is obtained. Add wraps to increase tension. Remove wraps to decrease tension.

Add a wrap by pulling out approximately 3 feet of cord until reel locks (if constant tension, maintain pull to keep it from recoiling). Grip cord behind/under guide arm, pull cord back through while looping around spool. Add two

or three wraps until desired tension is achieved. If you cannot deploy the full length of cord, you have too much tension for your length.

**⚠ CAUTION** Be careful not to exceed the winding mechanism's spring capacity. Add just enough wraps of cord to achieve the desired tension. Damage to the winding mechanism will result if spring is over-tensioned.

## Service Instructions

Maintain reel by inspecting cable and connectors for damage at least annually. While inspecting cable, wipe with a water dampened microfiber cloth (chemical cleaners can damage cable jacket). If you need to use a cleaner, use a "tire wet" product available at any auto parts store. Reel spring and bearings are factory lubricated and require no further lubrication.

**⚠ WARNING** Disconnect power/signal from reel before performing service. **If a repair is needed, contact Stage Ninja to determine course of action.** Failure to do so can result in personal injury and/or equipment damage and will void the warranty.